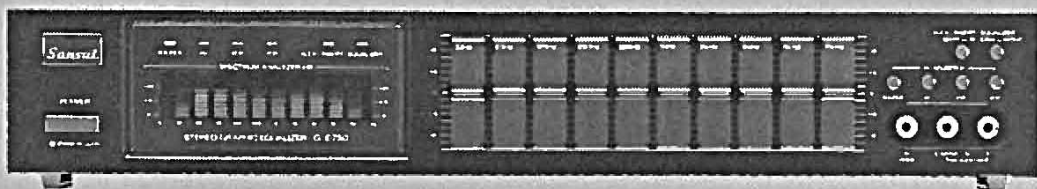


# SERVICE MANUAL

STEREO GRAPHIC EQUALIZER

## SANSUI G-E750



### CAUTION

1. Parts identified by the  $\Delta$  symbol on the schematic diagram and the parts list are critical for safety. Use only replacement parts that have critical characteristics recommended by the manufacturer.
2. Make leakage-current or resistance measurements to determine that exposed parts are acceptably insulated from the supply circuit before returning the appliance to the customer.

### •SPECIFICATIONS

#### Audio section

**Input sensitivity and impedance (1 kHz)**

SOURCE INPUT ..... 150 mV/47 kohms

**Output level (1 kHz)**

SOURCE OUTPUT ..... 150 mV/1 kohms

AUDIO OUTPUT ..... 150 mV/1 kohms

(Max. output level; 5V/47 kohms at 0.5% total harmonic distortion)

**Total harmonic distortion (2V, 20 Hz to 20 kHz)**

SOURCE INPUT→SOURCE OUTPUT

..... less than 0.01%

**Frequency response**

(Graphic equalizer controls: "0" position)

SOURCE INPUT→SOURCE OUTPUT

..... 20 Hz to 100 kHz,

+0 dB, -3 dB

**Signal to noise ratio (Short-circuit, A-network)**

SOURCE INPUT→SOURCE OUTPUT

..... 75 dB

**Equalizer frequency** ..... 32 Hz, 63 Hz, 125 Hz,

250 Hz, 500 Hz, 1 kHz,

2 kHz, 4 kHz, 8 kHz, 16 kHz

**Level variation range** .....  $\pm 12$  dB

#### Video section

**VIDEO INPUT sensitivity/Impedance**

..... 1.0 Vp-p/75 ohms

**VIDEO OUTPUT level/Impedance**

..... 1.0 Vp-p/75 ohms

**AUDIO INPUT sensitivity/Impedance**

..... -6 dBs/47 kohms

**AUDIO OUTPUT level/Impedance**

..... -6 dBs/1 kohms

#### Others

**Power voltage** ..... 120/220/240V

(50/60 Hz)

For U.S.A. and Canada

..... 120V (60 Hz)

**Power consumption** ..... 10 watts

**Dimensions** ..... 380 mm (15") (W)

68 mm (2-11/16") (H)

285 mm (11-1/4") (D)

**Weight** ..... 2.6 kg (5.7 lbs) net

3.2 kg (7.1 lbs) packed

• Design and specifications subject to changes without notice for improvements.

• Due to local laws and regulations, this unit sold in some areas are not equipped with variable voltage selectors

*Sansui*

SANSUI ELECTRIC CO., LTD.

## CAUTION

1. The symbols, UL, CSA, SA, BS, UK, EU, AS, SEV, XX <EXPORT> and XX-V <EXPORT(V)> on the parts list and the schematic diagram mean followings respectively.

UL..... Manufactured for U.S.A market.  
(Underwriters Laboratories approved model.)

CSA ..... Manufactured for Canadian market.

SA..... Manufactured for South African market.

BS, UK..... Manufactured for United Kingdom market.

EU ..... Manufactured for European market.

AS..... Manufactured for Australian market.

SEV ..... Manufactured for Swiss market.

XX <EXPORT> ..... Standard Version with Inner Voltage Selector.

XX-V <EXPORT(V)> .... Standard Version with Outer Voltage Selector.

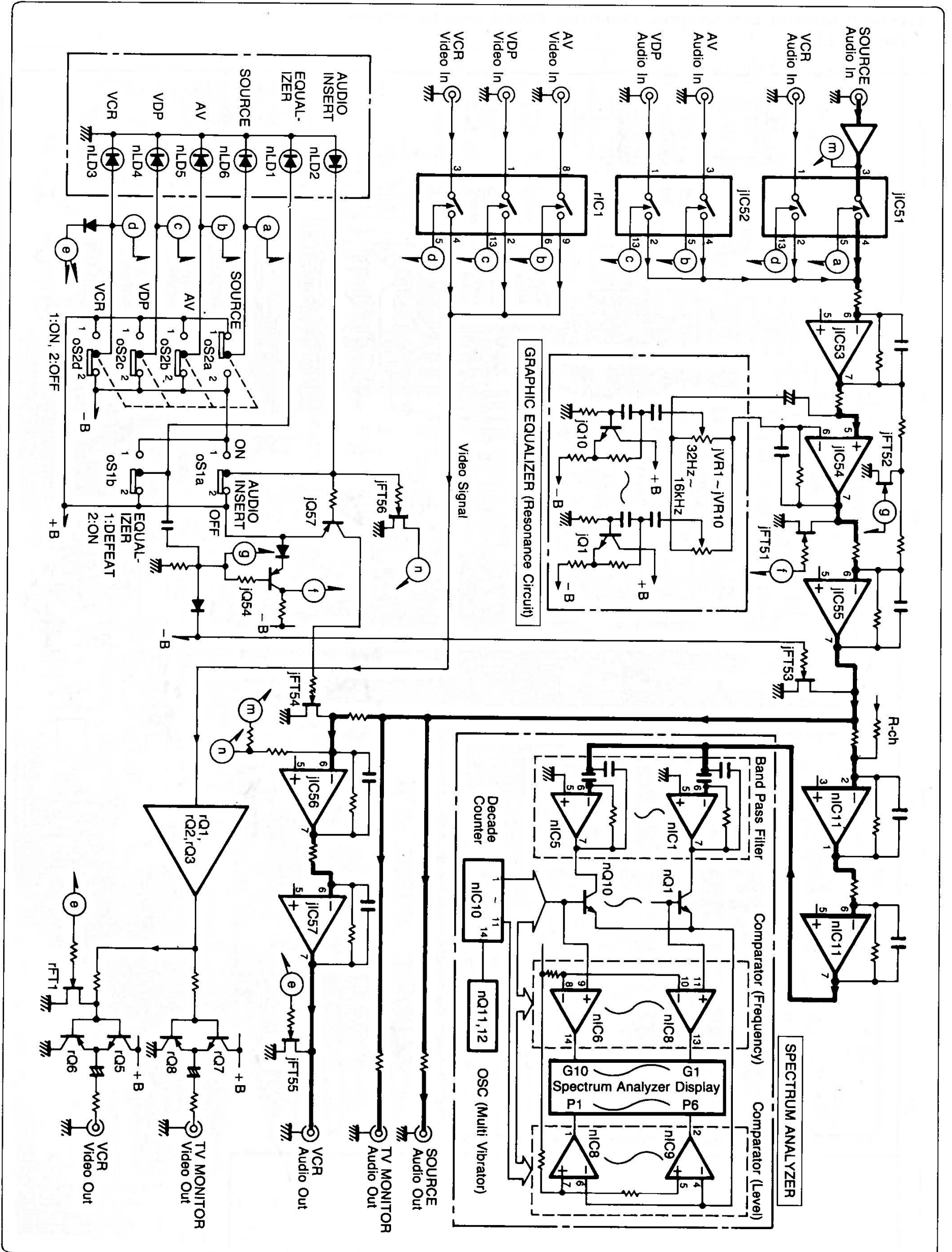
NON MARK ..... Common Parts.

2. Some printed circuit boards are not supplied as the assembled. To separate these in this service manual, the stock No's are not indicated at the ends of the board names. However, the individual parts on the circuit boards are provided by orders.
3. Since some of capacitors and resistors are omitted from parts lists in this service manual, refer to the Common Parts List for capacitors & resistors, which was issued on February 1983.
4. Abbreviations in this service manual are as follows.

### •Abbreviations List

C.R. : Carbon Resistor	E.B.L. : Low Leak Bi-Polar Electrolytic Capacitor
S.R. : Solid Resistor	Ta.C. : Tantalum Capacitor
Ce.R. : Cement Resistor	F.C. : Film Capacitor
M.R. : Metal Film Resistor	M.P. : Metalized Paper Capacitor
F.R. : Fusing Resistor	P.C. : Polystyrene Capacitor
N.I.R. : Non-Inflammable Resistor	G.C. : Gimmic Capacitor
A.R. : Array Resistor	A.C. : Array Capacitor
C.C. : Ceramic Capacitor	V.R. : Variable Resistor
C.T. : Ceramic Capacitor, Temperature Compensation	S.V.R. : Semi Variable Resistor
E.C. : Electrolytic Capacitor	SW. : Switch
E.L. : Low Leak Electrolytic Capacitor	Chip R. : Chip Resistor
E.B. : Bi-Polar Electrolytic Capacitor	Chip C. : Chip Capacitor

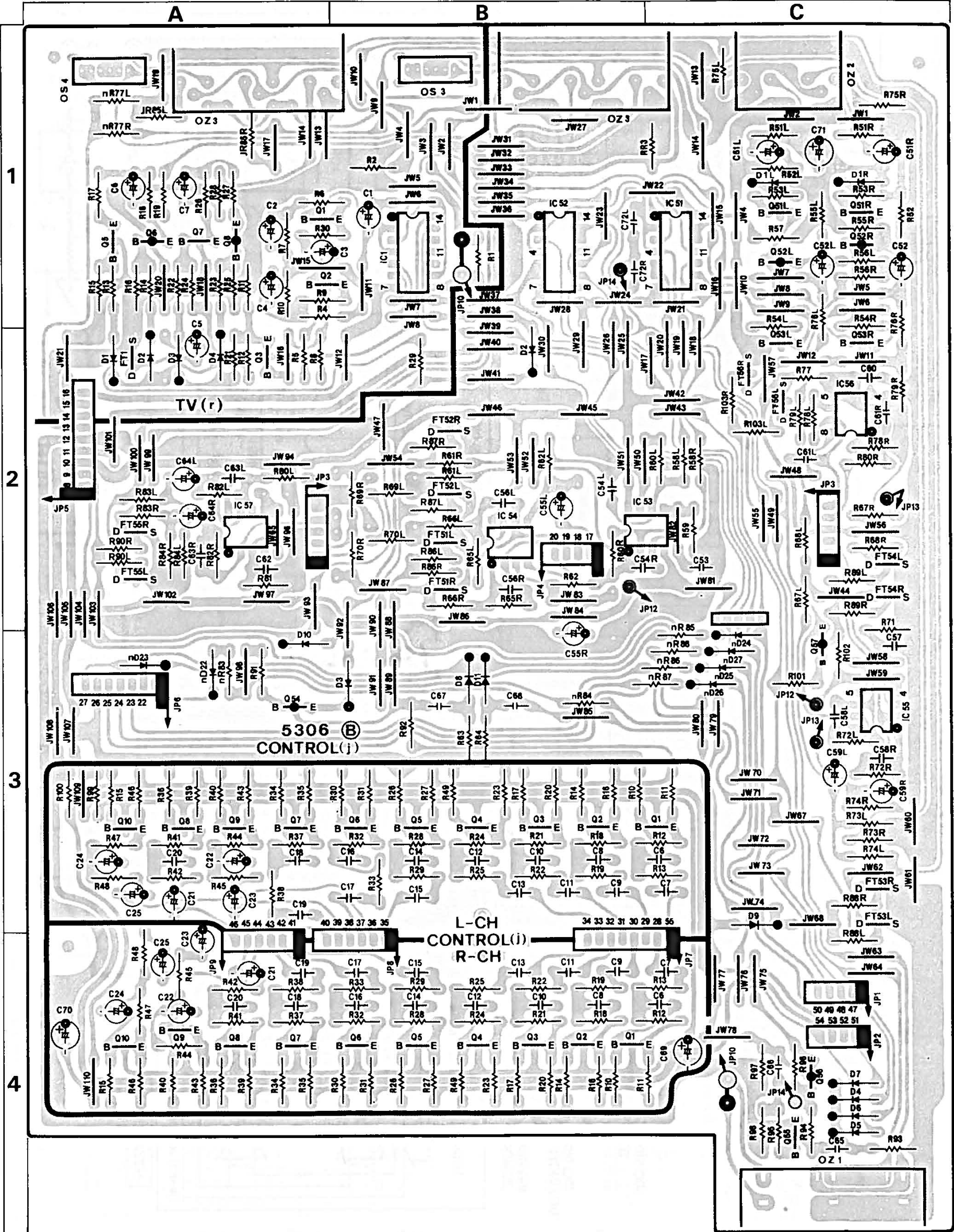
# 1. BLOCK DIAGRAM



# 2. PARTS LOCATION & PARTS LIST

## 2-1. F-5306 Control and Graphic Equalizer Board (Stock No. 00955301)

Component Side



## Parts List &lt; F-5306 &gt;

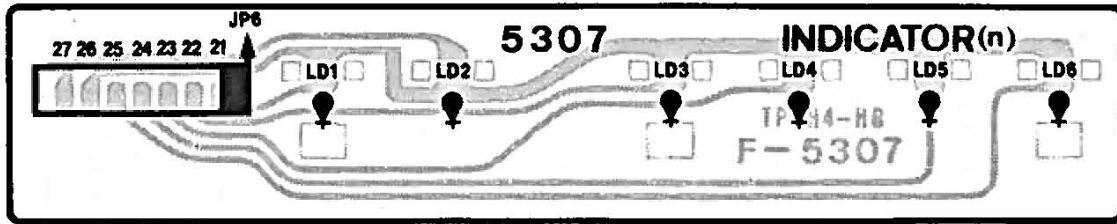
Parts No.	Stock No.	Description
•Transistor		
jQ1	46367101	2SC2603
	or 46367301	2SC2458
jQ2	46367101	2SC2603
	or 46367301	2SC2458
jQ3	46367101	2SC2603
	or 46367301	2SC2458
jQ4	46367101	2SC2603
	or 46367301	2SC2458
jQ5	46367101	2SC2603
	or 46367301	2SC2458
jQ6	46367101	2SC2603
	or 46367301	2SC2458
jQ7	46367101	2SC2603
	or 46367301	2SC2458
jQ8	46367101	2SC2603
	or 46367301	2SC2458
jQ9	46367101	2SC2603
	or 46367301	2SC2458
jQ10	46367101	2SC2603
	or 46367301	2SC2458
jQ51	46367101	2SC2603
	or 46367301	2SC2458
jQ52	46367001	2SA1115
	or 46367201	2SA1048
jQ53	46923400	DTC124ES
jQ54	46367001	2SA1115
	or 46367201	2SA1048
jQ55	46367101	2SC2603
	or 46367301	2SC2458
jQ56	46367001	2SA1115
	or 46367201	2SA1048
jQ57	46367001	2SA1115
	or 46367201	2SA1048
•FET		
jFT51	46643500	2SK163-K1
	or 46643501	2SK163-K2
	or 46643600	2SK117-O
	or 46643601	2SK117-Y
jFT52	46643500	2SK163-K1
	or 46643501	2SK163-K2
	or 46643600	2SK117-O
	or 46643601	2SK117-Y
jFT53	46643500	2SK163-K1
	or 46643501	2SK163-K2
	or 46643600	2SK117-O
	or 46643601	2SK117-Y
jFT54	46643500	2SK163-K1
	or 46643501	2SK163-K2
	or 46643600	2SK117-O
	or 46643601	2SK117-Y
jFT55	46643500	2SK163-K1
	or 46643501	2SK163-K2
	or 46643600	2SK117-O
	or 46643601	2SK117-Y
jFT56	46643500	2SK163-K1
	or 46643501	2SK163-K2
	or 46643600	2SK117-O
	or 46643601	2SK117-Y
•IC		
jIC51	48056800	LC4966
jIC52	48056800	LC4966
jIC53	07208900	NJM4558D-X
	or 46580100	M5218P
jIC54	07208900	NJM4558D-X
	or 46580100	M5218P
jIC55	07208900	NJM4558D-X
	or 46580100	M5218P
jIC56	07208900	NJM4558D-X
	or 46580100	M5218P
jIC57	07208900	NJM4558D-X
	or 46580100	M5218P

Parts No.	Stock No.	Description
•Diode		
jD1	03117600	1S2473T77
	or 46086000	1S1588TP-3
jD2	03117600	1S2473T77
	or 46086000	1S1588TP-3
jD3	03117600	1S2473T77
	or 46086000	1S1588TP-3
jD4	03117600	1S2473T77
	or 46086000	1S1588TP-3
jD5	03117600	1S2473T77
	or 46086000	1S1588TP-3
jD6	03117600	1S2473T77
	or 46086000	1S1588TP-3
jD7	03117600	1S2473T77
	or 46086000	1S1588TP-3
jD8	03117600	1S2473T77
	or 46086000	1S1588TP-3
jD9	03117600	1S2473T77
	or 46086000	1S1588TP-3
jD10	03117600	1S2473T77
	or 46086000	1S1588TP-3
jD11	03117600	1S2473T77
	or 46086000	1S1588TP-3
△jR57	46228600	47Ω 1/2W N.I.R.
△jR99	46228600	47Ω 1/2W N.I.R.
△jR100	46228600	47Ω 1/2W N.I.R.
jR104	46343100	100kΩX4 1/8W A.R.
jC7	46282300	2700pF 50V F.C.
jC8	46282000	1500pF 50V F.C.
jC9	46531300	5600pF 50V F.C.
jC10	46282400	3300pF 50V F.C.
jC11	46283000	0.012μF 50V F.C.
jC12	46694500	5100pF 50V F.C.
jC13	46283300	0.022μF 50V F.C.
jC14	46283000	0.012μF 50V F.C.
jC15	46283700	0.047μF 50V F.C.
jC16	46283300	0.022μF 50V F.C.
jC17	46284100	0.1μF 50V F.C.
jC18	46283700	0.047μF 50V F.C.
jC19	46532100	0.18μF 50V F.C.
jC20	46697300	0.075μF 50V F.C.
jC21	48103200	0.47μF 50V E.B.
jC23	48103400	1μF 50V E.B.
jC25	48103500	2.2μF 50V E.B.
jC65	46532600	0.22μF 50V F.C.
jC66	46532600	0.22μF 50V F.C.
•Diode		
nD22	03117600	1S2473T77
	or 46086000	1S1588TP-3
nD23	03117600	1S2473T77
	or 46086000	1S1588TP-3
nD24	03117600	1S2473T77
	or 46086000	1S1588TP-3
nD25	03117600	1S2473T77
	or 46086000	1S1588TP-3
nD26	03117600	1S2473T77
	or 46086000	1S1588TP-3
nD27	03117600	1S2473T77
	or 46086000	1S1588TP-3
oS3	46177200	Slide SW., VCR audio mono/stereo
oS4	46177200	Slide SW., VDP audio mono/stereo
oZ1	48367100	3P Terminal, AV
oZ2	48367500	4P Terminal, SOURCE
oZ3	48415400	6P Terminal, VCR, VDP

Parts No.	Stock No.	Description
•Transistor		
rQ1	46367101	2SC2603
	or 46391901	2SC2785
rQ2	46367101	2SC2603
	or 46391901	2SC2785
rQ3	46367101	2SC2603
	or 46391901	2SC2785
rQ5	46367101	2SC2603
	or 46391901	2SC2785
rQ6	46367001	2SA1115
	or 46392001	2SA1175
rQ7	46367101	2SC2603
	or 46391901	2SC2785
rQ8	46367001	2SA1115
	or 46392001	2SA1175
•FET		
rFT1	46643500	2SK163-K1
	or 46643501	2SK163-K2
	or 46643600	2SK117-O
	or 46643601	2SK117-Y
•IC		
rIC1	48056800	LC4966
•Diode		
rD1	03117600	1S2473T77
	or 46086000	1S1588TP-3
rD2	03117600	1S2473T77
	or 46086000	1S1588TP-3
rD3	03117600	1S2473T77
	or 46086000	1S1588TP-3
rD4	03117600	1S2473T77
	or 46086000	1S1588TP-3

2-2. F-5307 Indicator Board

Component Side



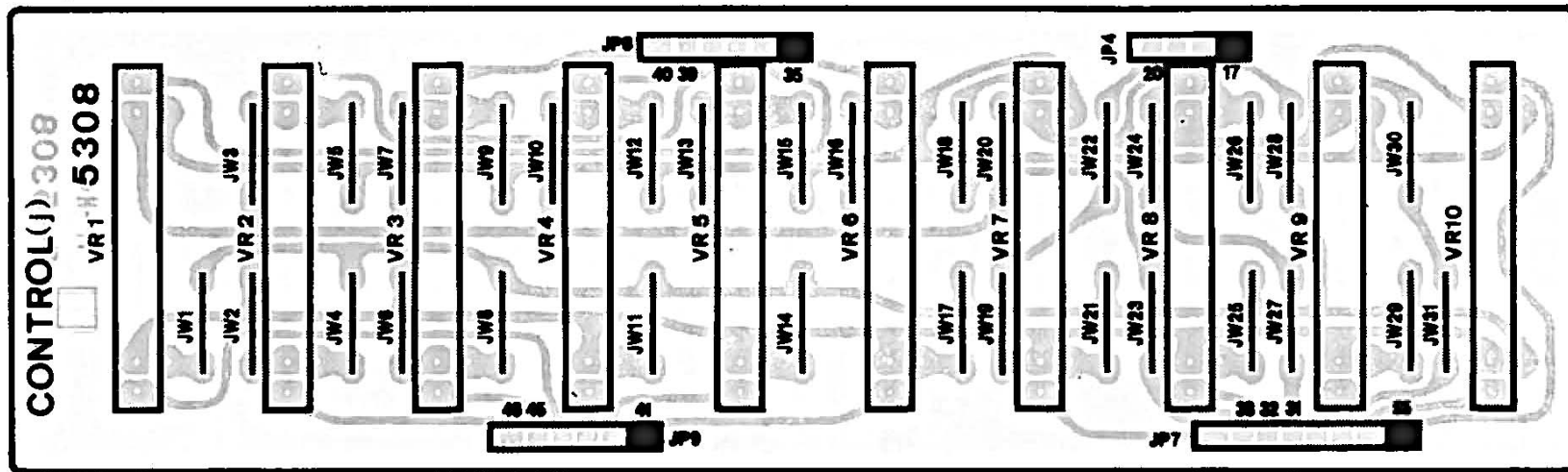
Parts List

Parts No.	Stock No.	Description
•LED		
nLD1	46470300	SEL2410E, EQUALIZER
nLD2	46470300	SEL2410E, AUDIO INSERT
nLD3	46176900	TLS-123, VCR
	or 46470200	SEL2210S
nLD4	46176900	TLS-123, VDP
	or 46470200	SEL2210S

Parts No.	Stock No.	Description
nLD5	46176900	TLS-123, AV
	or 46470200	SEL2210S
nLD6	46176900	TLS-123, SOURCE
	or 46470200	SEL2210S

2-3. F-5308 Graphic Equalizer Volume Board

Component Side



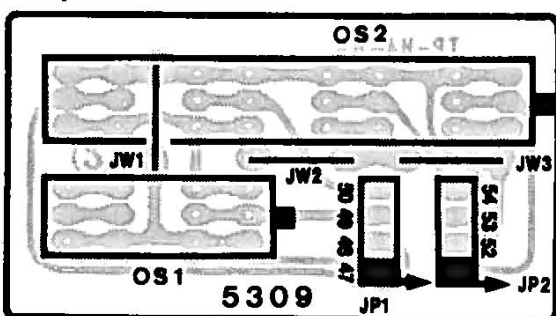
Parts List

Parts No.	Stock No.	Description
jVR1	48367600	50kΩ V.R., 32Hz
jVR2	48367600	50kΩ V.R., 63Hz
jVR3	48367600	50kΩ V.R., 125Hz
jVR4	48367600	50kΩ V.R., 250Hz
jVR5	48367600	50kΩ V.R., 500Hz

Parts No.	Stock No.	Description
jVR6	48367600	50kΩ V.R., 1kHz
jVR7	48367600	50kΩ V.R., 2kHz
jVR8	48367600	50kΩ V.R., 4kHz
jVR9	48367600	50kΩ V.R., 8kHz
jVR10	48367600	50kΩ V.R., 16kHz

2-4. F-5309 AV Selector SW. Board

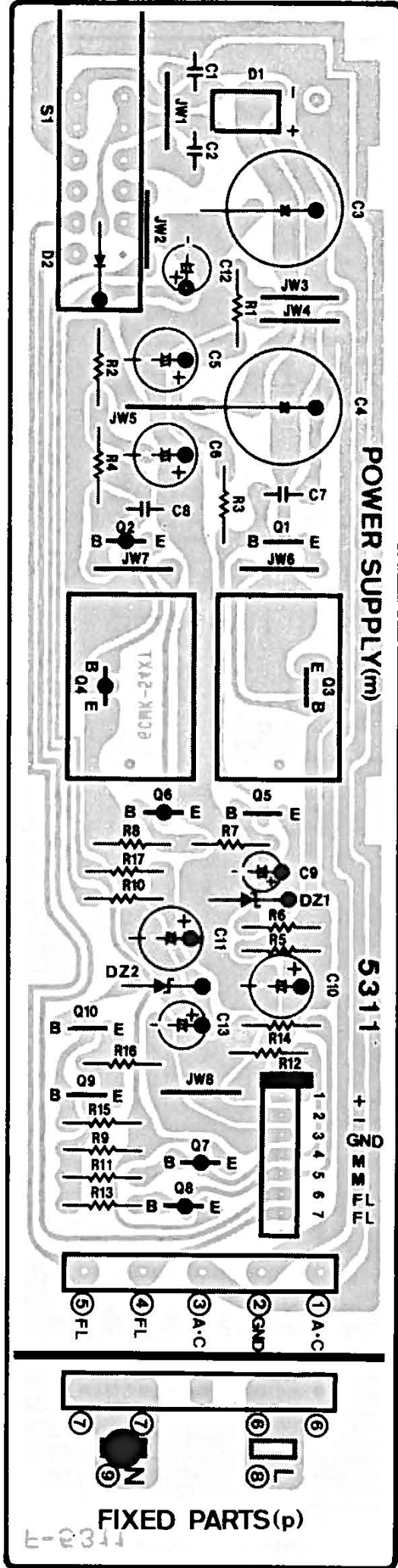
Component Side



Parts List

Parts No.	Stock No.	Description
oS1	48367300	Push SW., AUDIO INSERT, EQUALIZER
oS2	48367200	Push SW., AV SELECTOR

2-5. F-5311 Power Supply Board (Stock No. 00955801)  
Component Side

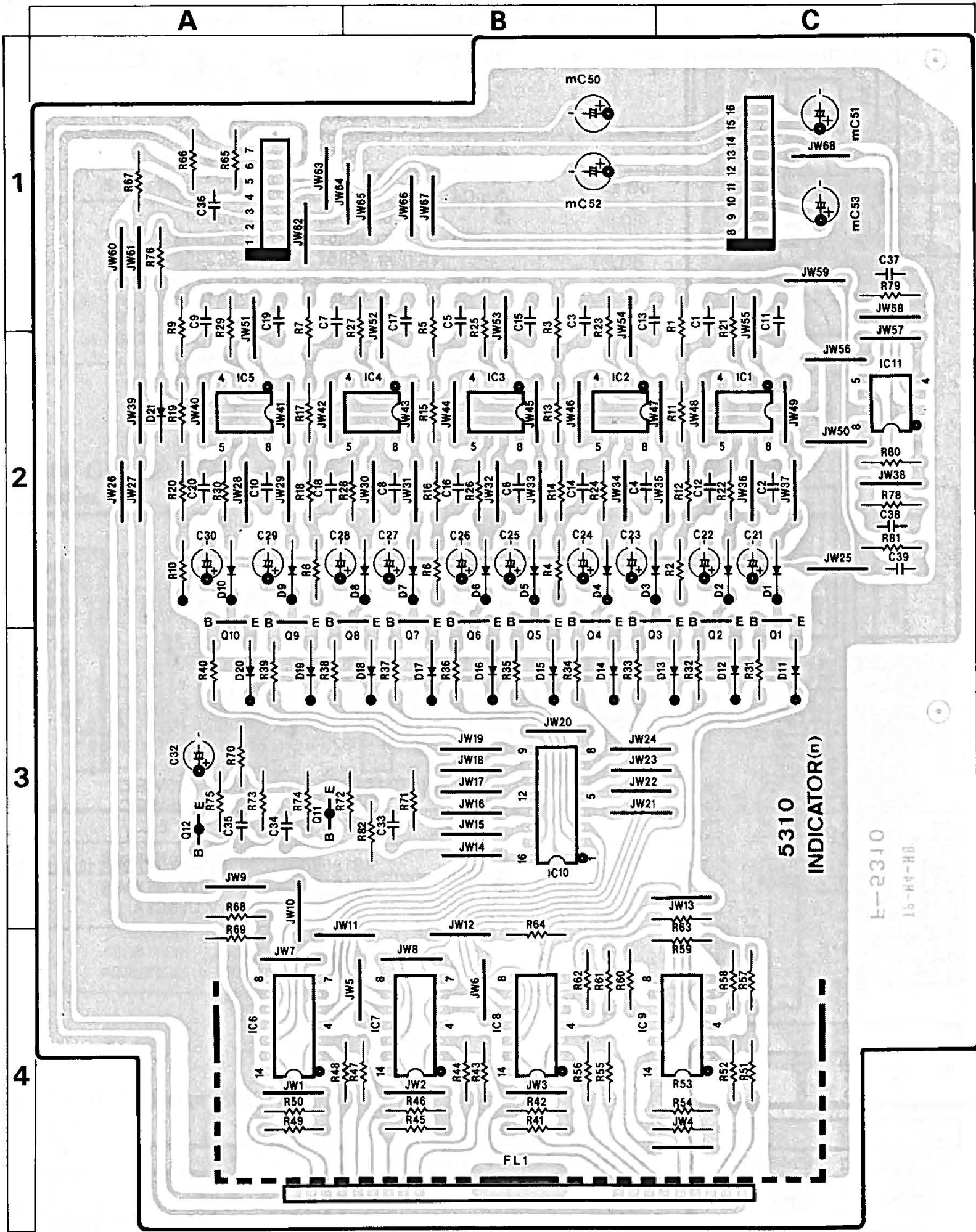


Parts List

Parts No.	Stock No.	Description
• Transistor		
mQ1	46367101	2SC2603
	or 46367301	2SC2458
mQ2	46367001	2SA1115
	or 46367201	2SA1048
△mQ3	03083901	2SD313HP
△	or 03086101	2SD357
△mQ4	03034401	2SB527
△	or 48063301	2SB507
mQ5	46367101	2SC2603
	or 46367301	2SC2458
mQ6	46367001	2SA1115
	or 46367201	2SA1048
mQ7	46367001	2SA1115
	or 46367201	2SA1048
mQ8	46367001	2SA1115
	or 46367201	2SA1048
mQ9	46367101	2SC2603
	or 46367301	2SC2458
mQ10	46367101	2SC2603
	or 46367301	2SC2458
• Diode		
△mD1	46273600	DBB10-B
mD2	48123600	11E-2
• Zener Diode		
mDZ1	46111800	05Z6.2-Y
	or 46111900	05Z6.2-Z
	or 46825300	RD6.2E-B2
	or 46825400	RD6.2E-B3
mDZ2	46111800	05Z6.2-Y
	or 46111900	05Z6.2-Z
	or 46825300	RD6.2E-B2
	or 46825400	RD6.2E-B3
mC3	07120900	1000μF 25V E.C.
mC4	07120900	1000μF 25V E.C.
mC13	08413300	47μF 35V E.C.
△mS1	48186800	Push SW., POWER (EU,UK&SEV)
△	48186900	Push SW., POWER (XX-V,UL&CSA)

2-6. F-5310 Spectrum Analyzer Board (Stock No. 00955701)

Component Side





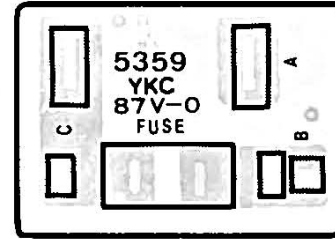
Parts List <F-5310>

Parts No.	Stock No.	Description
•Transistor		
nQ1	46367101	2SC2603
	or 46367301	2SC2458
nQ2	46367101	2SC2603
	or 46367301	2SC2458
nQ3	46367101	2SC2603
	or 46367301	2SC2458
nQ4	46367101	2SC2603
	or 46367301	2SC2458
nQ5	46367101	2SC2603
	or 46367301	2SC2458
nQ6	46367101	2SC2603
	or 46367301	2SC2458
nQ7	46367101	2SC2603
	or 46367301	2SC2458
nQ8	46367101	2SC2603
	or 46367301	2SC2458
nQ9	46367101	2SC2603
	or 46367301	2SC2458
nQ10	46367101	2SC2603
	or 46367301	2SC2458
nQ11	46367001	2SA1115
	or 46367201	2SA1048
nQ12	46367001	2SA1115
	or 46367201	2SA1048
•IC		
nIC1	03607700	NJM4558D
	or 46580100	M5218P
nIC2	03607700	NJM4558D
	or 46580100	M5218P
nIC3	03607700	NJM4558D
	or 46580100	M5218P
nIC4	03607700	NJM4558D
	or 46580100	M5218P
nIC5	03607700	NJM4558D
	or 46580100	M5218P
nIC6	07205300	NJM2901N
	or 48372600	M5234P
nIC7	07205300	NJM2901N
	or 48372600	M5234P
nIC8	07205300	NJM2901N
	or 48372600	M5234P
nIC9	07205300	NJM2901N
	or 48372600	M5234P
nIC10	07205400	MSM4017RS
	or 46727200	M4017BP
nIC11	03607700	NJM4558D
	or 46580100	M5218P
•Diode		
nD1	03117600	1S2473T77
	or 46086000	1S1588TP-3
nD2	03117600	1S2473T77
	or 46086000	1S1588TP-3
nD3	03117600	1S2473T77
	or 46086000	1S1588TP-3
nD4	03117600	1S2473T77
	or 46086000	1S1588TP-3
nD5	03117600	1S2473T77
	or 46086000	1S1588TP-3
nD6	03117600	1S2473T77
	or 46086000	1S1588TP-3
nD7	03117600	1S2473T77
	or 46086000	1S1588TP-3
nD8	03117600	1S2473T77
	or 46086000	1S1588TP-3
nD9	03117600	1S2473T77
	or 46086000	1S1588TP-3
nD10	03117600	1S2473T77
	or 46086000	1S1588TP-3
nD11	03117600	1S2473T77
	or 46086000	1S1588TP-3

Parts No.	Stock No.	Description
nD12	03117600	1S2473T77
	or 46086000	1S1588TP-3
nD13	03117600	1S2473T77
	or 46086000	1S1588TP-3
nD14	03117600	1S2473T77
	or 46086000	1S1588TP-3
nD15	03117600	1S2473T77
	or 46086000	1S1588TP-3
nD16	03117600	1S2473T77
	or 46086000	1S1588TP-3
nD17	03117600	1S2473T77
	or 46086000	1S1588TP-3
nD18	03117600	1S2473T77
	or 46086000	1S1588TP-3
nD19	03117600	1S2473T77
	or 46086000	1S1588TP-3
nD20	03117600	1S2473T77
	or 46086000	1S1588TP-3
nD21	03117600	1S2473T77
	or 46086000	1S1588TP-3
△nR82	46229500	270Ω 1/2W N.I.R.
nFL1	46727400	FL. Display Tube FG60SA6

2-7. F-5359 AC Outlet & Fuse Board <SEV only>

Component Side

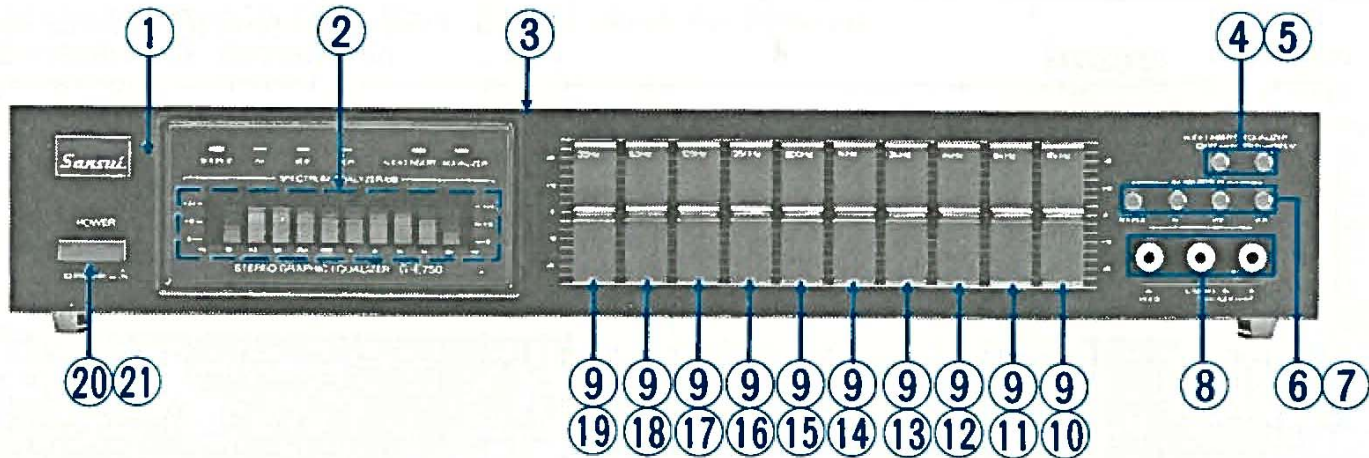


Parts List

Parts No.	Stock No.	Description
△pS1	46161000	AC Outlet
△pF1	07185000	250V 2A Fuse

### 3. OTHER PARTS

#### 3-1. Front View

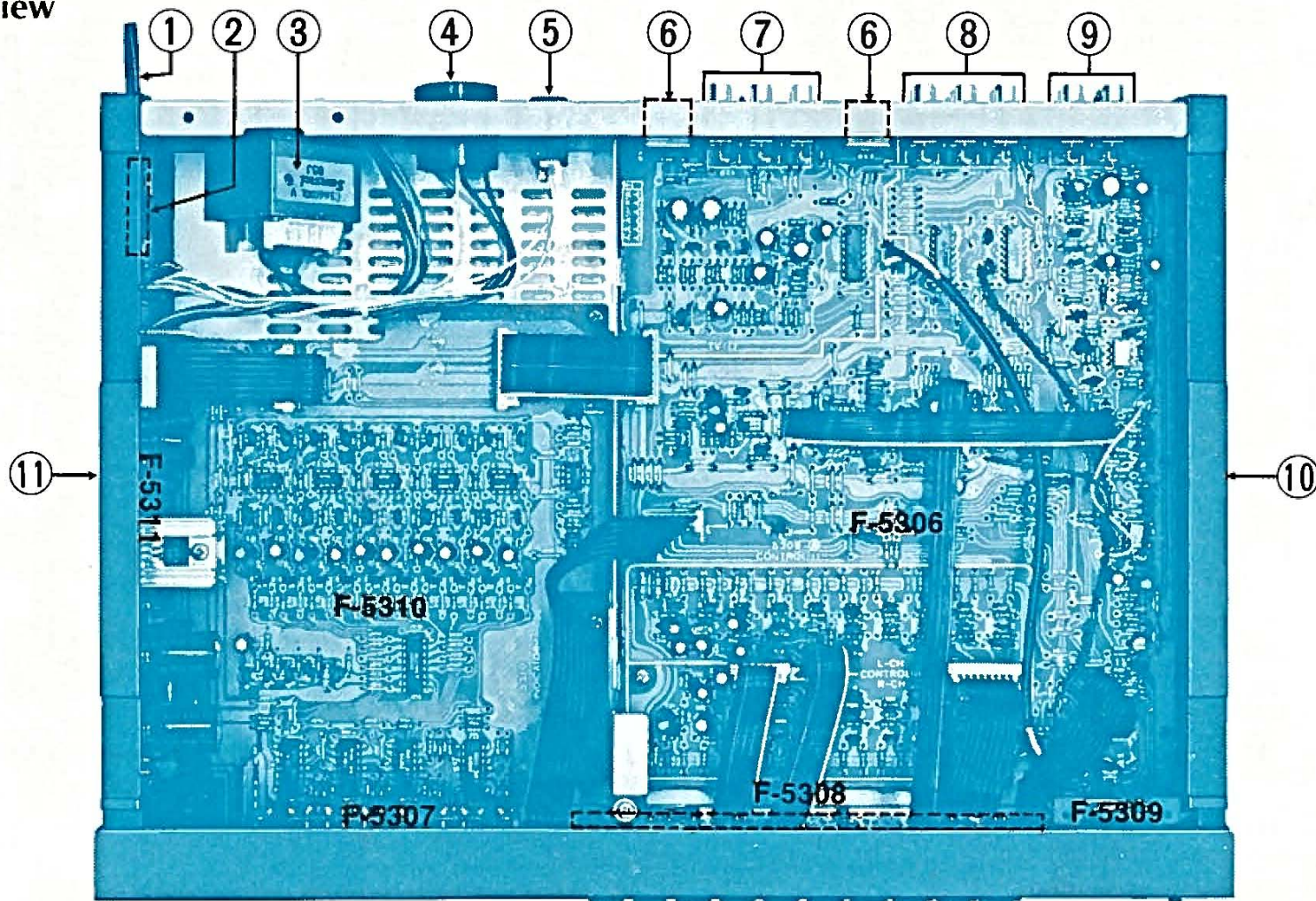


Parts List

Parts No.	Stock No.	Description
1	27161500	Front Panel Ass'y
2	46727400	FL. Display Tube FG60SA6, SPECTRUM ANALYZER
3	27049200	Bonnet
4	48367300	Push SW., AUDIO INSERT, EQUALIZER
5	27038500	Knob, AUDIO INSERT, EQUALIZER
6	48367200	Push SW., SOURCE, AV, VDP, VCR
7	27038500	Knob, SOURCE, AV, VDP, VCR
8	48367100	3P Terminal, AV
9	48367600	50kΩ V.R., graphic equalizer
10	27170200	16kHz Slide Knob
11	27170100	8kHz Slide Knob

Parts No.	Stock No.	Description
12	27170000	4kHz Slide Knob
13	27169900	2kHz Slide Knob
14	27169800	1kHz Slide Knob
15	27169700	500Hz Slide Knob
16	27169600	250Hz Slide Knob
17	27169500	125Hz Slide Knob
18	27169400	63Hz Slide Knob
19	27169300	32Hz Slide Knob
△ 20	48186800	Push SW., POWER (EU,UK&SEV)
△ 21	48186900	Push SW., POWER (XX-V,UL&CSA)
21	27039700	Knob, POWER

#### 3-2. Top View



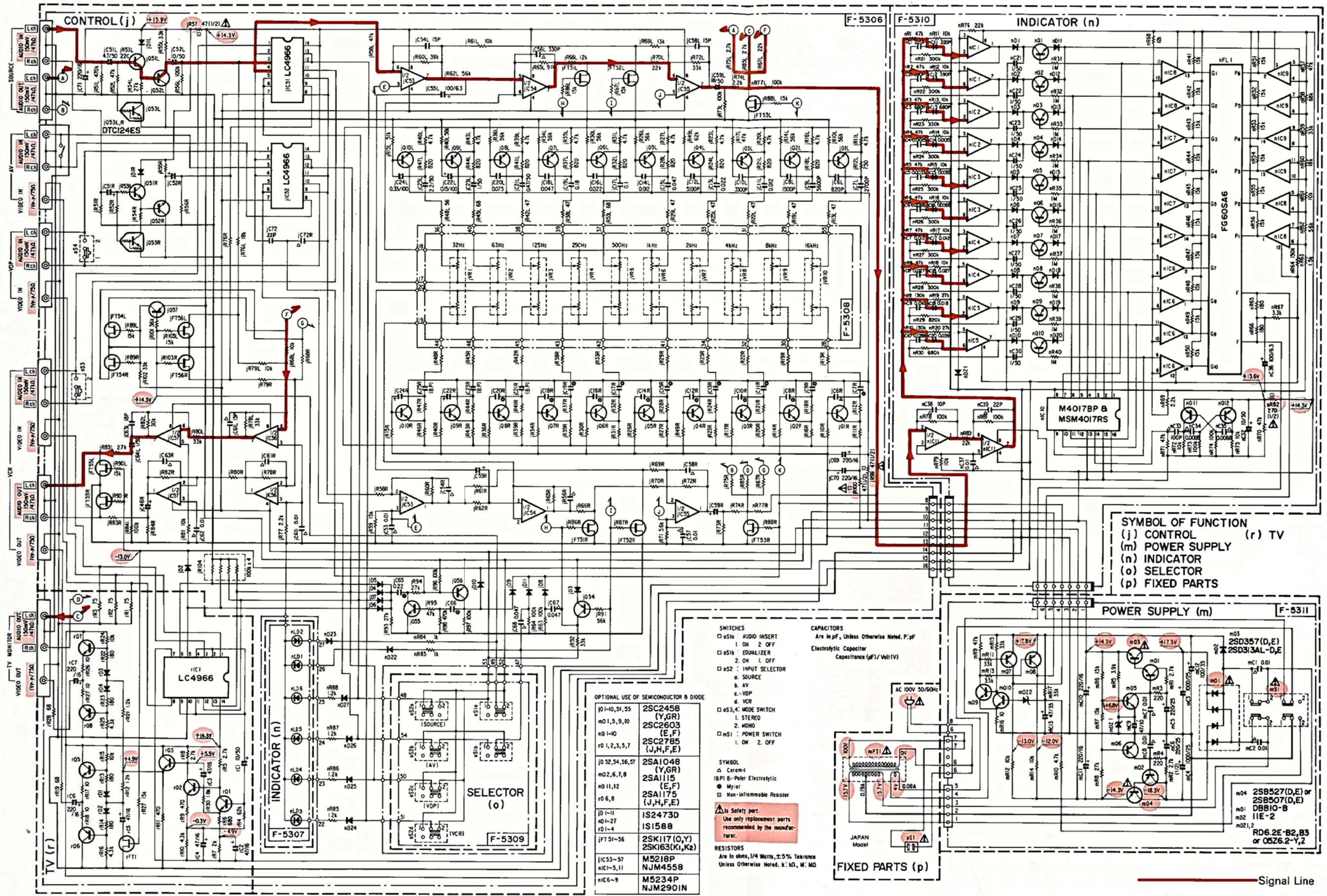
Parts List

Parts No.	Stock No.	Description
△ 1	38005400	Power Supply Cord (XX-V)
△	38004700	Power Supply Cord (UL)
△	48187600	Power Supply Cord (CSA)
△	38004500	Power Supply Cord (EU&SEV)
△	38004300	Power Supply Cord (UK)
2	47157300	AC Cord Cover
△ 3	15024009	Power Transformer (XX-V)
△	15024002	Power Transformer (UL&CSA)
△	15024005	Power Transformer (EU,UK&SEV)
△ 4	48175200	Voltage Selector (XX-V)
△	07204700	Slide SW., voltage selector (EU,UK&SEV)

Parts No.	Stock No.	Description
△ 5	46364900	AC Outlet (XX-V&UL)
△	48184000	AC Outlet (CSA)
△	46161000	AC Outlet (EU&SEV)
△	46364800	AC Outlet (UK)
6	46177200	Slide SW., VDP/VCR AUDIO MODE
7	48415400	6P Terminal, VDP, TV MONITOR
8	48415400	6P Terminal, VCR
9	48367500	4P Terminal, SOURCE
10	27107100	Side Panel (R)
11	27107200	Side Panel (L)

4. SCHEMATIC DIAGRAM 4-1. Main Section

• Design and specifications subject to change without notice for improvement.  
 • La présentation et les spécifications sont susceptibles d'être modifiées sans préavis par suites d'améliorations éventuelles.  
 • Änderungen, die dem technischen Fortschritt dienen, bleiben vorbehalten.



- 2SA1048
- 2SA1115
- 2SC2458
- 2SC2803
- 2SB527
- 2SD357
- 2SA1175
- 2SC2785
- DTC124ES
- 2SD313
- LC4966
- M4017BP
- M5218P
- M5234P
- MSM4017RS
- NJM2901N
- NJM4558D
- Not at SH or LHM
- 2SK117
- 2SK183
- 1S1588
- 1S2473D
- 11E2
- 05Z8.2
- RD6.2E

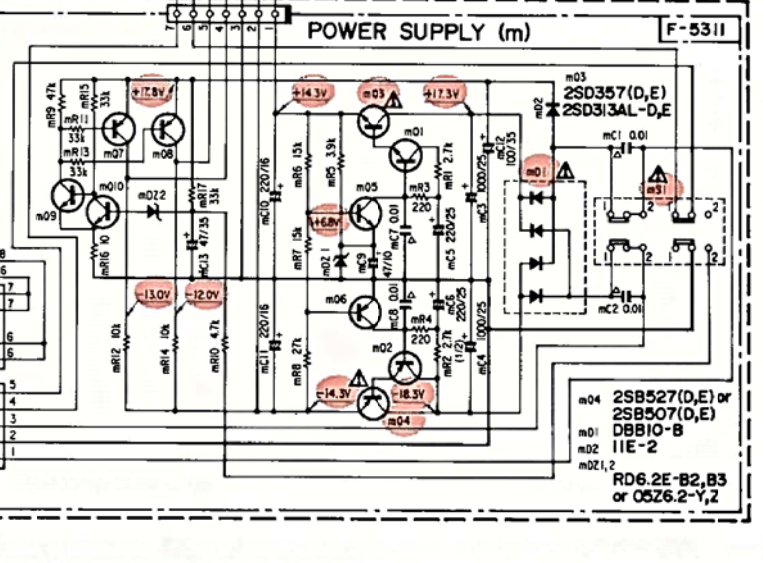
SYMBOL OF FUNCTION  
 (j) CONTROL (r) TV  
 (m) POWER SUPPLY  
 (n) INDICATOR  
 (o) SELECTOR  
 (p) FIXED PARTS

OPTIONAL USE OF SEMICONDUCTOR B DIODE

j01-10, 54, 55	2SC2458 (Y,GR)
m01, 5, 9, 10	2SC2603 (E,F)
n01-10	2SC2785 (J,H,F,E)
r01, 2, 3, 5, 7	2SA1048 (Y,GR)
j02, 54, 56, 57	2SA1115 (E,F)
m02, 6, 7, 8	2SA1175 (J,H,F,E)
n011, 12	IS2473D
r06, 8	IS1588
j01-11	2SK117 (Q,Y)
n01-27	2SK163 (K1, K2)
r01-4	M5218P
jT51-56	NJM4558
jC53-57	M5234P
nC1-5, 11	NJM2901N
nC6-9	

- SWITCHES
- o51a: AUDIO INSERT
  - 1. ON 2. OFF
  - o51b: EQUALIZER
  - 2. ON 1. OFF
  - o52: INPUT SELECTOR
  - a. SOURCE
  - b. AV
  - c. VCR
  - d. VCR
  - o53, 4: MODE SWITCH
  - 1. STEREO
  - 2. MONO
  - o51: POWER SWITCH
  - 1. ON 2. OFF
- SYMBOL
- △ Ceramc
  - BP1 B: Polar Electrolytic
  - Mylar
  - Non-inflammable Resistor
- RESISTORS
- Are in ohms, 1/4 Watts, ±5% Tolerance Unless Otherwise Noted. K: 10<sup>3</sup>, M: 10<sup>6</sup>

- CAPACITORS
- Are in µF, Unless Otherwise Noted. P: pF
- Electrolytic Capacitor Capacitance (µF) / Volt (V)
- AC 100V 50/60Hz
- FIXED PARTS (p)

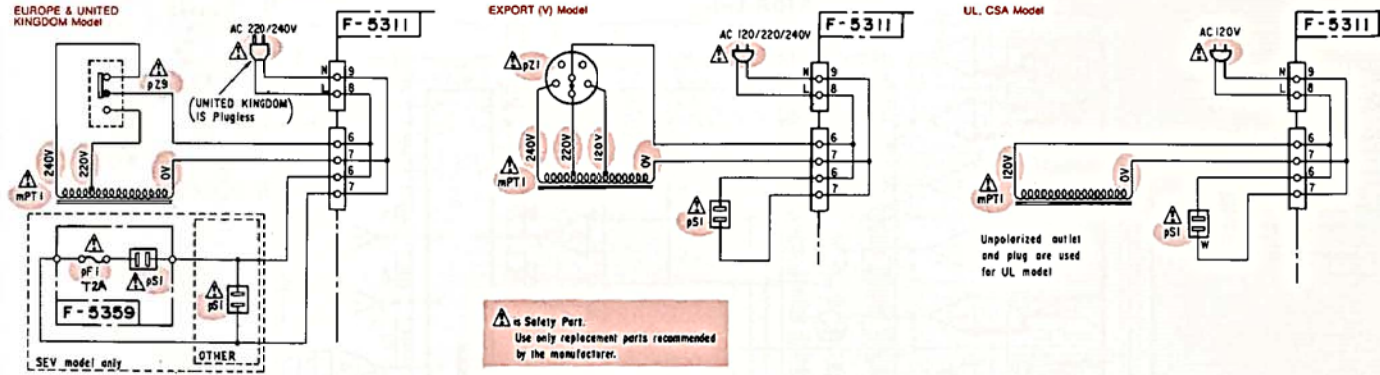


1  
2  
3  
4  
5

— Signal Line

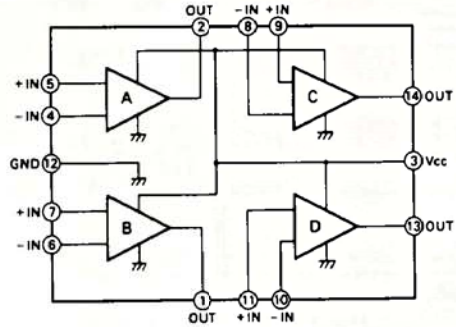
4-2. Power Supply (Primary Side) Section

② FIXED PARTS (p)

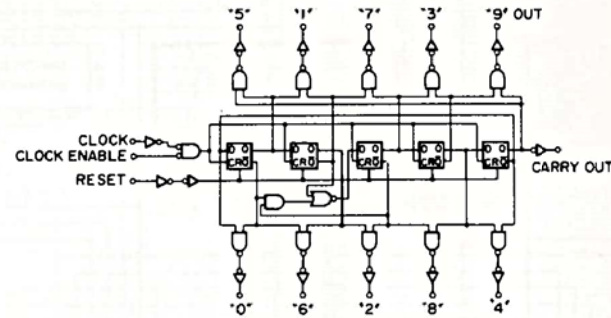


5. INTERIOR BLOCK DIAGRAM OF ICs

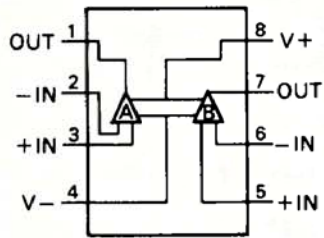
•NJM2901N, M5234P (Quad Comparator)



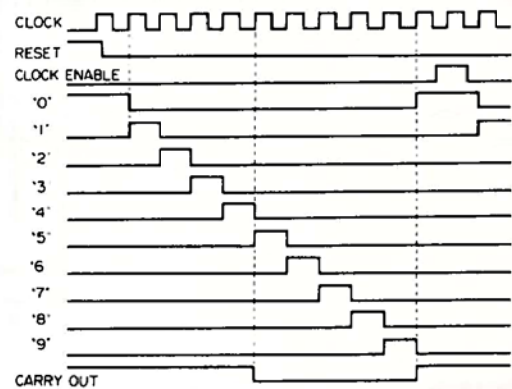
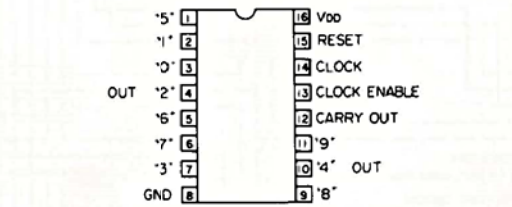
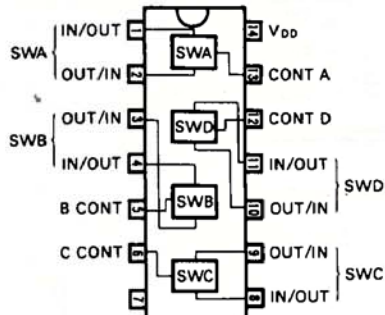
•MSM4017BP, M4017BP (Decade Counter)



•M5218P, NJM4558D (OP Amp.)

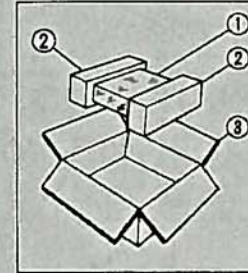


•LC4966 (Quad Bi-lateral SW.)



6. PACKING LIST

Parts No.	Stock No.	Description
1	27113900	Vinyl Cover
2	27113300	Styrofoam Packing
3	27057100	Carton Case



7. ACCESSORY LIST

Stock No.	Description
38103200	PJP Cord
46997700	Operating Instruction (*E·F·S)
46997800	Operating Instruction (*G·I·SW)

\* Note:  
 E·F·S: English·French and Spanish Version  
 G·I·SW: German·Italian and Swedish Version



SANSUI ELECTRIC CO., LTD.  
 SANSUI ELECTRONICS CORPORATION  
 SANSUI ELECTRONICS (U.K.) LTD.  
 SANSUI ELECTRONICS G.M.B.H.

14-1, Izumi 2-chome, Suginami-ku, Tokyo 168 Japan  
 PHONE: (03) 324-8891/TELEX: 232-2076 (International Division)  
 1250 Valley Brook Ave. Lyndhurst, N.J. 07071 U.S.A.  
 17150 South Margay Ave. Carson, California 90746 U.S.A.  
 3036 Koapaka Street, Honolulu, Hawaii 96819 U.S.A.  
 Unit 10A, Lyon Industrial Estate, Rockware Avenue, Greenford, Middx UB6, OAA, England  
 Pau Ehrich Strasse 8, 6074 Rödermark 2, West Germany